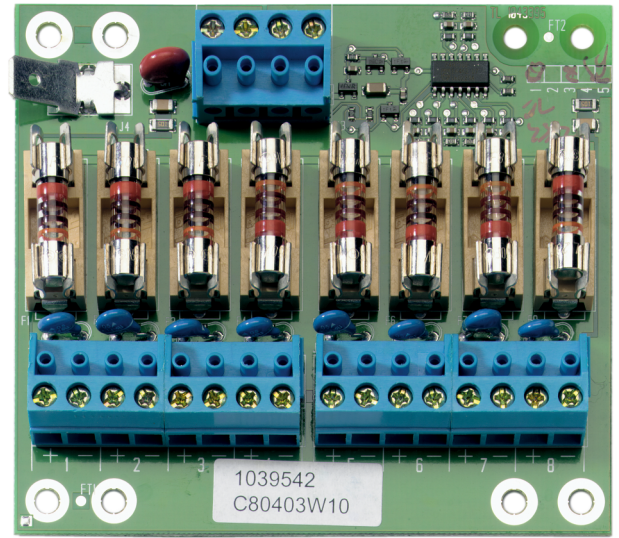


# ATS1840

## ATS Fuse Board

### Product Overview

It is an 8-way fuse board to provide for separate fused power supply outputs. Fuse fail is indicated by a dedicated output that can be connected directly to any zone on the ATS control panel (or ATS1201 DGP).



### Details

- Max. current/output 315 mA max.

# ATS1840

## ATS Fuse Board

### Technical specifications

---

#### General

Accessory group	ATS Master
Type	Module

#### Electrical

Operating voltage	10.5 to 13.8 VDC
Current consumption	3 mA max.

#### Physical

Physical dimensions	90 x 80 x 20 mm
---------------------	-----------------

#### Environmental

Operating temperature	0 to +50°C
Relative humidity	95% noncondensing



As a company of innovation, Carrier Fire & Security reserves the right to change product specifications without notice. For the latest product specifications, visit [firesecurityproducts.com](http://firesecurityproducts.com) online or contact your sales representative.

Last updated on 22 April 2021 - 18:22