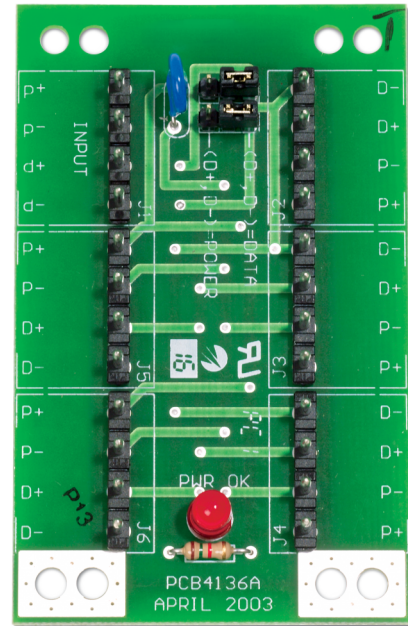


# ATS1330

## ATS Power Distribution Board

### Product Overview

The Power Distribution Board, model ATS1330, provides a simple means of star connecting ATS-bus devices. It is fitted with a single protected input port and five paralleled output ports, providing either the traditional power and comms or power alone. It is a standard board size and provides a power OK LED for easy diagnosis.



### Details

- Provides a simple means of star connecting
- Fitted with a single protected input port and five paralleled output ports.
- Traditional power and comms or power alone.
- Provides a power OK LED for easy diagnosis.

# ATS1330

## ATS Power Distribution Board

### Technical specifications

---

#### General

Accessory group	Advisor Advanced, ATS Master
Type	Spare part

#### Physical

Physical dimensions	86 x 54 mm (W x H)
---------------------	--------------------

#### Environmental

Operating temperature	0 to 50 °C
Relative humidity	95% noncondensing



As a company of innovation, Carrier Fire & Security reserves the right to change product specifications without notice. For the latest product specifications, visit [firesecurityproducts.com](http://firesecurityproducts.com) online or contact your sales representative.

Last updated on 22 April 2021 - 18:22