

AD044

GE SECURITY,PINPOINT,ARITECH ONLY,4I40-ID



Details

- 2/4 wire external interface
- Four inputs to monitor non-addressable devices
- Four outputs
- If needed powered through auxiliary power supply
- Used for any sensor

AD044

GE SECURITY,PINPOINT,ARITECH ONLY,4I40-ID

Technical specifications

General

Accessory group	Motion sensors
Type	Module

Electrical

Operating voltage	12 VDC 24 VDC
Power supply type	VDC
Current consumption	500 mA

Physical

Physical dimensions	173 x 122 x 51 mm
Colour	White

Environmental

Operating temperature	0 to 55°C
Relative humidity	max. 90%
Environment	Indoor

Bus protocol

	Interlogix property
--	---------------------

Bus voltage

	12 VDC or 24 VDC
--	------------------

External power supply

	9 to 13.8 VDC
--	---------------

Current consumption from Bus

	290 microA
--	------------

Unit load for DGP

	1
--	---

Address range

	0 to 255
--	----------

Open collector current output

	100 microA max.
--	-----------------

Output current

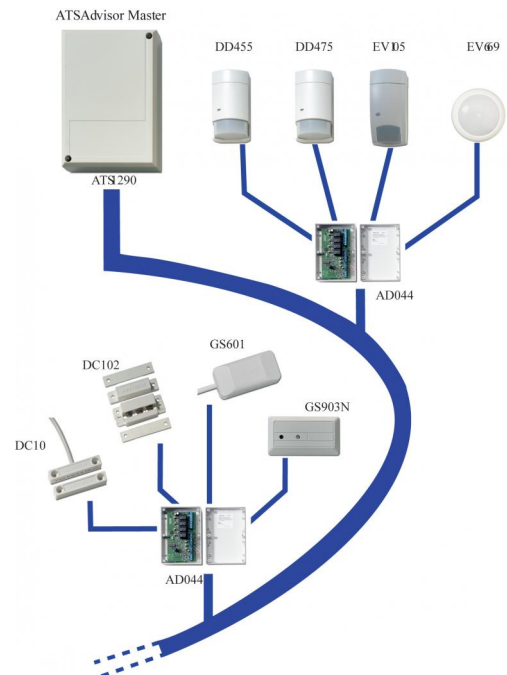
	500 mA max. each
--	------------------

Dimensions (W x H x D)

	173 x 122 x 51 mm
--	-------------------

Ambient conditions

	0 to 55°C; max. 90% relative humidity
--	---------------------------------------



As a company of innovation, Carrier Fire & Security reserves the right to change product specifications without notice. For the latest product specifications, visit firesecurityproducts.com online or contact your sales representative.

Last updated on 26 March 2021 - 12:29