

TVW-BB1A

TruVision Wedge camera angled back box used with S6 series wedge cameras

Overview

TVW- BB1A back box for indoor and outdoor use. The bracket can be used with the TruVision wedge cameras listed below.

Used for the following cameras:

TruVision S6 wedge range of IP cameras:

- TVW-5601
- TVW-5602
- TVW-5603
- TVW-5604
- TVW-5605



Details

- Suitable for TruVision S6 wedge cameras
- Back box
- Aluminum alloy

TVW-BB1A

TruVision Wedge camera angled back box used with S6 series wedge cameras

Technical specifications

General

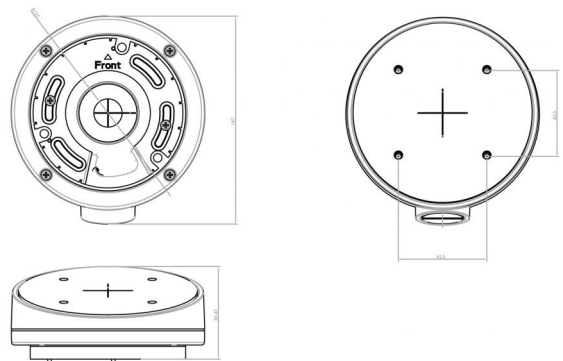
Bracket type	Camera
Camera support type	TruVision wedge domes
Bracket mounting part	Mount connection box
Mount type	Back box
Cable management	Yes

Physical

Physical dimensions	137 x 147 x 55 mm (Ø 137 mm)
Net weight	240 g
Colour	Grey (Pantone 428c)
Material	Aluminium

Standards & regulation

Compliance	CE
------------	----



As a company of innovation, Carrier Fire & Security reserves the right to change product specifications without notice. For the latest product specifications, visit firesecurityproducts.com online or contact your sales representative.

