

TVP-CWM

TruVision Compact PTZ Indoor Wall Mount bracket for use with TVP-5101

Overview

This Compact PTZ Indoor Wall Mount allows for wall mounting of the TruVision indoor Compact PTZ.

Camera compatibility

For use with with TruVision indoor compact PTZ camera TVP-5101



Details

- For use with TVP-5101
- For wall mount installations
- Allows for cable management

TVP-CWM

TruVision Compact PTZ Indoor Wall Mount bracket for use with TVP-5101

Technical specifications

General

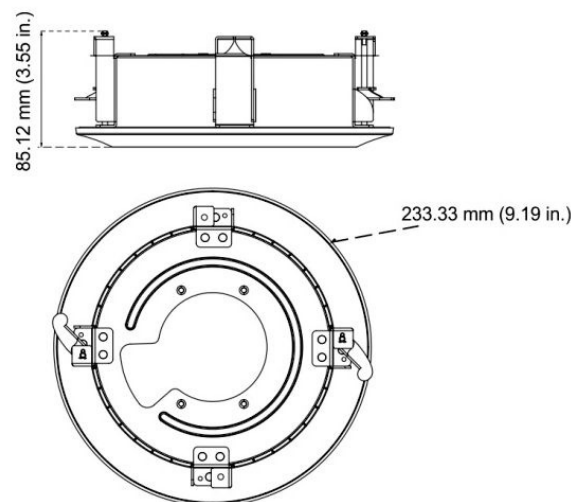
Bracket type	Camera
Camera support type	PTZ camera
Bracket mounting part	Mounting bracket
Mount type	Wall mount

Physical

Material	Plastic
----------	---------

TVP-CWM

Dimensions:	126 x 80 x 224 mm
Weight:	450g
Color:	Grey color (Pantone 428c)



As a company of innovation, Carrier Fire & Security reserves the right to change product specifications without notice. For the latest product specifications, visit firesecurityproducts.com online or contact your sales representative.

Last updated on 22 June 2021 - 16:19

