

TVP-CB1

TruVision Cup Base for TVP-5103 Compact PTZ camera. Use with TVD-SNB, TVD-PPB, TVD-CBW.

Overview

The TVP-CB1 cup base can be used on brackets TVD-SNB, TVD-PPB and TVD-CBW



Details

- Compatible with camera brackets TVD-SNB, TVD-PPB, TVD-CBW.
- For use with for TVP-5103 Compact PTZ camera.

TVP-CB1

TruVision Cup Base for TVP-5103 Compact PTZ camera. Use with TVD-SNB, TVD-PPB, TVD-CBW.

Technical specifications

General

Bracket type	Camera
Camera support type	PTZ camera
Bracket mounting part	Cup base

Physical

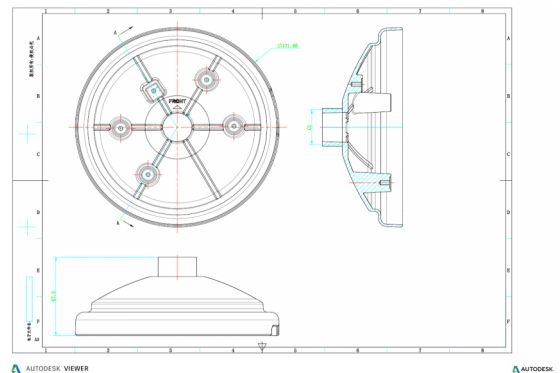
Physical dimensions	Ø 171.66 mm
Colour	Grey (Pantone 428c)
Material	Aluminium

Environmental

Environment	Indoor / Outdoor
-------------	------------------

Standards & regulation

Compliance	REACH, RoHS
------------	-------------



As a company of innovation, Carrier Fire & Security reserves the right to change product specifications without notice. For the latest product specifications, visit firesecurityproducts.com online or contact your sales representative.

Last updated on 22 June 2021 - 16:19

