

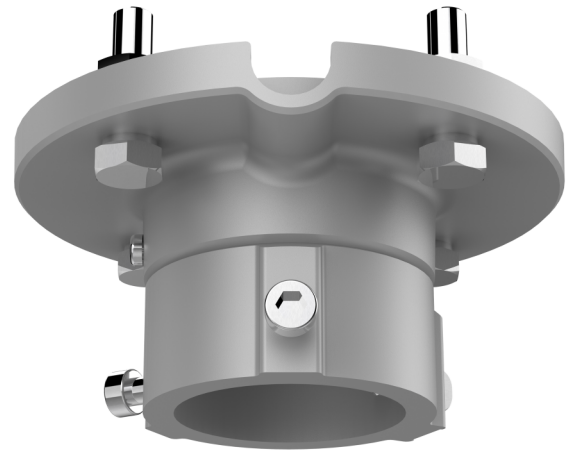
# TVMI-PM

## TruVision Multi-imager Pendant Mount bracket, 57 mm / 2.24"

### Overview

---

The TruVision TVMI-PM Pendant Mount bracket allows multi-imager camera TVS-5101 to be installed on a ceiling. Additional extension elements are available to increase distance between camera and ceiling.



### Details

---

- Compatible with TVS-5101 TruVision multi-imager camera
- Aluminium alloy material with surface spray treatment

# TVMI-PM

## TruVision Multi-imager Pendant Mount bracket, 57 mm / 2.24"

### Technical specifications

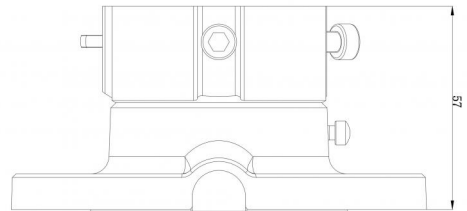
---

#### General

Bracket type	Camera
Camera support type	TruVision 360 degrees cameras
Bracket mounting part	Mounting bracket
Mount type	Pendant mount
Cable management	Yes

#### Physical

Physical dimensions	116.5 x 57 mm 4.59 x 2.24 in.
Net weight	380 g 0.84 lb.
Colour	Grey (Pantone 428c)
Material	Aluminium



As a company of innovation, Carrier Fire & Security reserves the right to change product specifications without notice. For the latest product specifications, visit [firesecurityproducts.com](http://firesecurityproducts.com) online or contact your sales representative.

