

# TVD-CB6

TruVision cup base (5 inch) for S6 motorized turret cameras. Use with TVD-SNB, TVD-PPB, TVD-CBW.

## Overview

---

The TVD-CB6 cup base can be used on brackets TVD-SNB, TVD-PPB and TVD-CBW



## Details

---

- Compatible with camera brackets TVD-SNB, TVD-PPB, TVD-CBW
- For use with S6 motorized turret cameras TVT-5608, TVT-5609, TVT-5610, TVT-5611

# TVD-CB6

TruVision cup base (5 inch) for S6 motorized turret cameras. Use with TVD-SNB, TVD-PPB, TVD-CBW.

## Technical specifications

---

### General

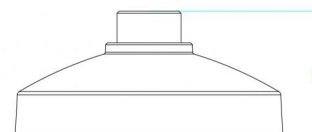
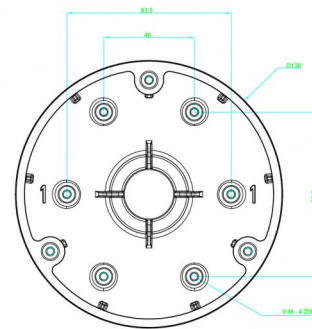
Bracket type	Camera
Camera support type	TruVision mini domes
Bracket mounting part	Cup base
Mount type	Wall mount

### Physical

Physical dimensions	Ø 136 mm
Net weight	Ø 5.35 in.
Colour	Grey (Pantone 428c)
Material	Aluminium

### Environmental

Environment	Indoor / Outdoor
-------------	------------------



As a company of innovation, Carrier Fire & Security reserves the right to change product specifications without notice. For the latest product specifications, visit [firesecurityproducts.com](http://firesecurityproducts.com) online or contact your sales representative.

