

TVD-CB3A

TruVision 3-inch Cup Base for S6 varifocal turret camera with cable harness

Overview

With the TVD-CB3A cup base, Series 6 turret IP cameras TVT-5608H, TVT-5609H, TVT-5610H, TVT-5611H can be installed on wall/pendant mount brackets TVD-SNB, TVD-CBW and TVD-PPB.



Details

- Compatible with TVT-5608H / TVT-5609H / TVT-5610H / TVT-5611H Series 6 turret IP cameras
- Compatible with wall/pendant mount brackets TVD-SNB, TVD-CBW and TVD-PPB
- Designed for convenient wiring

TVD-CB3A

TruVision 3-inch Cup Base for S6 varifocal turret camera with cable harness

Technical specifications

General

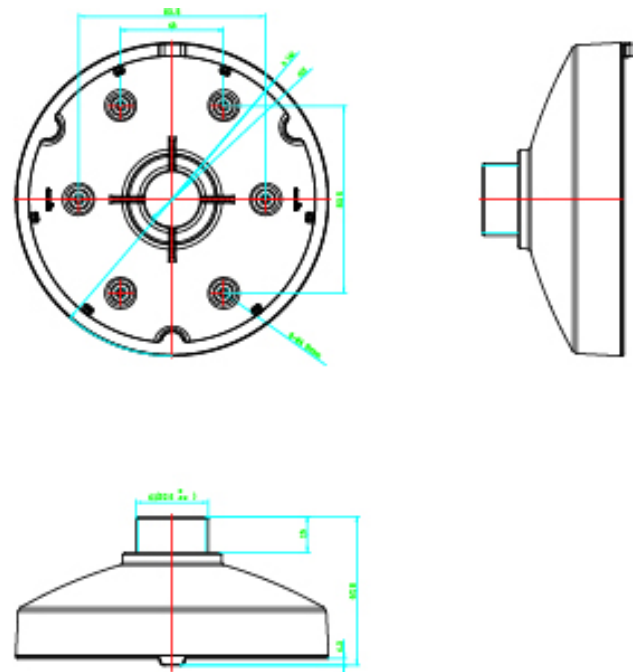
Bracket type	Camera
Camera support type	TruVision mini domes
Bracket mounting part	Cup base
Mount type	Pendant mount

Physical

Physical dimensions	Ø 140 x 66.6 mm
Net weight	220 g
Colour	Grey (Pantone 428c)
Material	Aluminium

Compatibility

Cameras	TVT-5608H / TVT-5609H / TVT-5610H / TVT-5611H Series 6 turret IP cameras
Wall/pendant mount brackets	TVD-SNB / TVD-CBW / TVD-PPB



As a company of innovation, Carrier Fire & Security reserves the right to change product specifications without notice. For the latest product specifications, visit firesecurityproducts.com online or contact your sales representative.

