

TVD-5402

Cámara minidomo antivandálico IP TruVision, 3MPX, óptica VF motorizada de 2,8 a 12mm, H.265/H.264, WDR. Leds IR. Interior. PoE /12Vcc. Audio.

Overview

The TruVision line of IP dome form factor cameras leverages the latest H.265 video compression technology to bring state-of-the-art, high-definition pictures to the mass video surveillance market. With camera resolutions of 2, 3, or 5 megapixel, these IP cameras represent a flexible video surveillance device to meet any need. Equipped with advanced technology and signal processing capability, they effectively capture video under challenging conditions.

TruVision cameras utilize H.264 and/or H.265 compression technology with triple-streaming capability, making it easy to manage the camera's bandwidth usage. Motorized varifocal lens technology allows the user to remotely adjust the varifocal lens length and focus the camera with the touch of a button. Select models feature Super Low Light technology, which provides a clear image in low lighting conditions with a minimum of "grainy" interference. Recording to a local MicroSD card (not included) protects data in the event of network disruptions.

These cameras go above and beyond standard motion detection with enhanced alarm capabilities, including cross lines, intrusion, de-focus and face detection features. Each is user-configurable to best suit the installation environment. A Region of Interest function ensures specific portions of an image are given priority during instances of high network traffic or network degradation.

Location-specific functions include a Hallway View Mode to provide a portrait view of a hallway or corridor, a De-Fog Mode to help resolve images through fog or rain and Electronic Image Stabilization for installations subject to physical vibration or shaking.



Details

- Maximum Resolution: 2048 × 1536
- Maximum Real Time Resolution: 2048 × 1536 @ 25 fps
- Designed to PSIA and ONVIF Profile G and S open standards
- H.265 and/or H.264 compression with triple-streaming functionality
- Edge recording up to 128GB SDHC card
- 1/2.8" CMOS image sensor
- Motorized IR Cut Filter
- Low Light: Color: 0.008 Lux @ (F1.2, AGC ON), 0 Lux IR on
- Motorized Lens 2.8 to 12mm
- Up to 30m IR illumination
- Up to 120dB Wide Dynamic Range
- Intelligence (Face detection, Audio Exception Detection, Intrusion Detection, De-focus Detection, Region of Interest (ROI), Electronic Image Stabilization (EIS), Defog, Scene Change Detection, Cross Line Detection, Advanced Motion Detection, Region Entrance Detection, Region Exit Detection, Object Removal, Object Left Behind, Object Counting)

TVD-5402

Cámara minidomo antivandálico IP TruVision, 3MPX, óptica VF motorizada de 2,8 a 12mm, H.265/H.264, WDR. Leds IR. Interior. PoE /12Vcc. Audio.

Technical specifications

General

Technology	IP
Estándar de Video	NTSC, PAL
Modos de pantalla	Vista del Pasillo, Espejo, Región De Interés (ROI)
Salida de video	BNC Compuesto PAL / NTSC
Compatibilidad del software	OnGuard, Prism, TruVision Navigator, TVRmobile, Navegador Web

Cámara

Tamaño del sensor	1/2,8"
Resolución máxima	3 MPX
Exploración del sensor	Progresivo
Tipo de Sensor	CMOS
Píxeles Totales (H x V)	2048 x 1536
Píxeles efectivos (H x V)	2048 x 1536

Rendimiento lumínico

Tipo WDR	WDR Verdadero
WDR	120 dB
Reducción digital de ruido	3D DNR
Día/Noche	Verdadero Día/Noche
Filtro de corte IR motorizado	Si
Sensibilidad de color	0.008 Lux @ (F1.2, AGC ON)
Sensibilidad B/N	0 lux with IR on
Infrarrojo (IR)	Si
Sensibilidad IR	0 lux with IR
Rango IR	Up to 30 m
Longitud de onda del IR	850 mm

Codificación

Compresión del flujo secundario	H.264, MJPEG
Bitrate de video	128kbps to 16Mbps
Resoluciones del flujo secundario	176 x 144 (QCIF), 352 x 288 (CIF), 704 x 576 (4CIF)
Resolución máx. @ ips	2048 x 1536 @ 25 fps

Lente

Tipo de lente	Motorizado
Distancia focal	2.8 to 12 mm
Auto iris	Si
Auto focus	Si
Zoom monitorizado	Si

Red

Integration	CGI, ONVIF, PSIA
Protocolos de red soportados	802.1x, DDNS, DHCP, DNS, FTP, HTTP, HTTPS, IPv4, IPv6, NTP, PPPoE, Qos, RTP, RTSP, SMTP, SNMP, TCP/IP, UPnP

Audio

Compresión de audio	G.711, G.722.1, G.726, MP2L2
Entrada de audio	1
Salida de audio	1

E/S de alarma

Entradas de alarma	1
Salidas de alarma	1
Conexiones E/S de alarma	Terminal Type

Almacenamiento

Soporte almacenamiento local	Si
Tipo almacenamiento local	Built-in Micro SD/SDHC/SDXC card slot
Máx. capacidad de almacenamiento	128GB

Inteligencia de video

Activador de alarma	Detección de movimiento, Máscara de Privacidad, Tamper de video
Analíticas de Video	Detección de movimiento avanzada, Detección de excepción de audio, Desenfoque, Antiniebla, Estabilización Electrónica de Imagen (EIS), Detección de rostros, Detección de intrusión, Detección de cruce de línea, Conteo de objetos, Objeto abandonado, Detección de objeto retirado, Detección de entrada en región, Detección de salida de región, Cambio de escenario

Eléctrico

Tipo de fuente de alimentación	VCC
Valor de la fuente de alimentación	12 VDC
Consumo de corriente	9 W
Consumo de corriente	0.750 A

Físico

Dimensiones físicas	140 x 122 mm
Peso neto	1.4 kg
Color	Gris
Factor de forma	Domo

Medioambiental

Antivandálico	Si
Entorno	Interior
Temperatura de funcionamiento	-30 to +60°C -22 to +140°F

Normativa

Cumplimiento	CE, FCC, HALT, REACH, RoHS, UL, WEEE
--------------	--------------------------------------

TVD-5402

Cámara minidomo antivandálico IP TruVision, 3MPX, óptica VF motorizada de 2,8 a 12mm, H.265/H.264, WDR. Leds IR. Interior. PoE /12Vcc. Audio.

Camera

Sensor:	3 MPX 1/2.8" Progressive Scan CMOS
Day/Night:	Motorized IR Cut Filter
IP	H.265/ H.264 / MJPEG
Compression/Standard:	
Maximum Resolution (@ 2048 × 1536 (25 fps) FPS):	
Maximum Real Time Resolution (@ FPS):	50Hz: 25 fps (2048 × 1536), 50 fps (1920 × 1080, 1280 × 960, 1280 × 720) 60Hz: 30 fps (2048 × 1536), 60 fps (1920 × 1080, 1280 × 960, 1280 × 720)
Multiple Streaming:	Triple Streams
Video Bit Rate:	128 Kbps to 16 Mbps, adjustable
S/N Ratio:	52 dB (AGC OFF)
Auto Exposure (shutter):	50 Hz: 1/3s to 1/100,000s 60 Hz: 1/3s to 1/100,000s
Composite Output (BNC):	PAL, 1.0 Vp-p @ 75 ohm

Lighting performance

Wide Dynamic Range	WDR
WDR in dB	120dB
Digital noise reduction	3D DNR
Highlight compensation (HLC)	No
Day/Night	True D/N
Motorized IR Cut Filter	Yes
Color sensitivity	Color: 0.008 Lux @ (F1.2, AGC ON), 0 Lux IR ON
IR Range	Up to 30 m
IR Wavelength	850nm

Lens

Control type:	DC
Focal length:	2.8 to 12mm
Zoom lens:	Motorized
Autofocus:	Yes
Auto Iris:	Yes

Electrical

Voltage Input:	POE (802.3af) /12VDC
Power Consumption:	Max. 9 W
Current:	750 mA
Auxiliary Power	50mA @12VDC Line level

Network

Network Protocols:	TCP/IP, HTTP, DHCP, DNS, DDNS, ezDDNS, RTP, RTSP, PPPoE, SMTP, NTP, SNMP, HTTPS, FTP, 802.1x, Qos, IPv6. ONVIF, PSIA, CGI
PoE IEEE:	802.3af
Standard & Integration	ONVIF Profile (G,S), PSIA, CGI

LocalStorage

Media:	MicroSD/micro SDHC/ microSDXC
Capacity:	Up to 128GB
Input:	Audio in / Mic in (line level)
Output:	Audio out
Audio bit rate (protocol)	G.711ulaw, G.711alaw, MP2L2, G.726, PCM

Camera Alarm

Basic:	Motion Detection, Tamper Proof, Privacy Mask
Advanced:	Face detection, Audio Exception Detection, Intrusion Detection, Region De-focus Detection, Region of Interest (ROI), Electronic Image Stabilization (EIS), Defog, Scene Change Detection
	Cross Line Detection, Advanced Motion Detection, Region Entrance Detection, Region Exit Detection, Object Removal, Object Left Behind, Object Counting
Input/Output:	1 input / 1 output

Display

Display mode:	N/A
OSD:	N/A

Mechanical/ Environmental

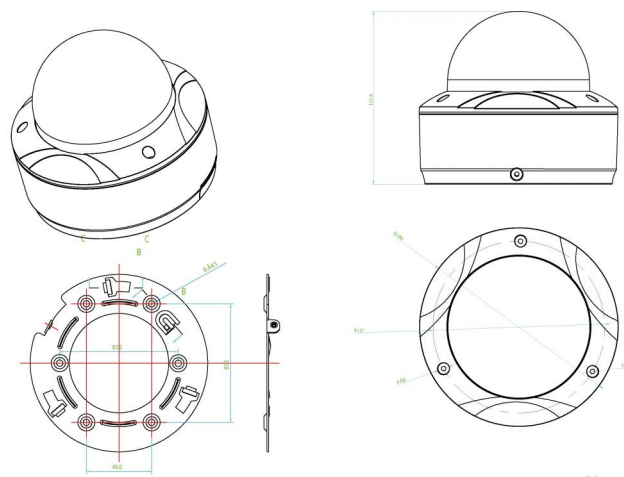
Camera type:	Dome
Dimensions:	Ø 140 × 121.8 mm (5.51 × 4.79 in.)
Weight:	1400 g (3.09 lbs.)
Storage Temperature:	-30° to 60°C (-22° to 140°F)
Operating Temperature:	-30° to 60°C (-22° to 140°F)
Humidity:	95% or less (non-condensing)
Environmental Rating:	N/A
Vandal Rating:	IK10
Outdoor:	No

Regulation

Compliance:	FCC, CE, UL, WEEE, RoHS, REACH
-------------	--------------------------------

Accessories

Brackets:	TBD
-----------	-----



Como empresa innovadora, Carrier Fire & Security se reserva el derecho de modificar las especificaciones de los productos sin previo aviso. Para conocer las últimas especificaciones de los productos, visite la Web de es.firesecurityproducts.com o póngase en contacto con su comercial.

