

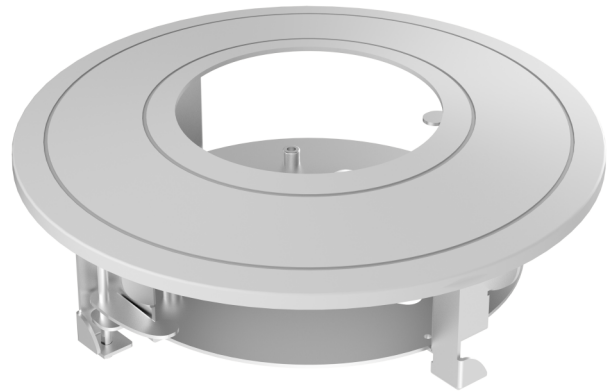
# TVD-VFM3

## TruVision flush mount for S6 varifocal dome camera with cable harness

### Overview

---

The TruVision TVD-VFM3 Flush Mount bracket can be used to install the Series 6 IP cameras TVD-5604H / TVD-5605H / TVD-5606H directly on a ceiling without leaving space between the camera and the surface of the ceiling.



### Details

---

- Steel and plastic materials with surface spray treatment
- Metal construction with magnetic trim ring
- Should only be used on a flat surface

# TVD-VFM3

## TruVision flush mount for S6 varifocal dome camera with cable harness

### Technical specifications

---

#### General

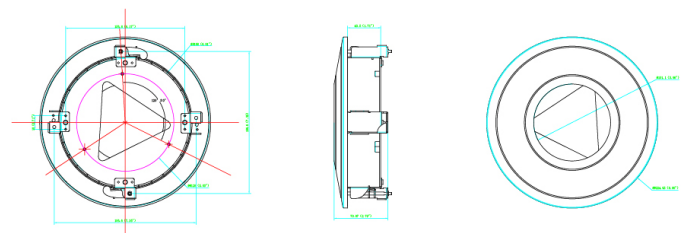
Bracket type	Camera
Camera support type	TruVision mini domes
Bracket mounting part	Mounting bracket
Mount type	Flush mount
Cable management	Yes

#### Physical

Physical dimensions	Ø 225 × 75.9 mm
Net weight	609 g
Colour	Grey (Pantone 428c)
Material	Steel

#### Compatibility

Cameras	TVD-5604H / TVD-5605H / TVD-5606H
---------	-----------------------------------



As a company of innovation, Carrier Fire & Security reserves the right to change product specifications without notice. For the latest product specifications, visit [firesecurityproducts.com](http://firesecurityproducts.com) online or contact your sales representative.

Last updated on 22 June 2021 - 16:19

