

5150-W

On-the-glass piezo sensor with 90 cm wire leads, covering up to 3 m of glass

The Sentrol 5150 series glass break detector has been designed using the latest electronic techniques. This enables the detector to contain all the necessary circuitry for excellent detection whilst filtering out and rejecting all unwanted signals that would normally result in a nuisance alarm(s), e.g. ultra-sound, radio frequency interference, etc. The 5150 series will provide a 3 m radius of protection. Suitable for use on standard window glass, plate, wired, tempered and laminated glass.

Due to the design of the product, the detector may be fitted as close as 2.5 cm from the window frame and still provide a full 3 m radius. The 5150 series detectors are passive sensors; therefore any number of detectors may be installed on the same windowpane without the risk of interaction.

The detectors use a fail-safe, normally closed, open to alarm relay contact enabling compatibility with any standard burglar alarm control equipment.

The output from the relay contact should be connected via the alarm 24-hour tamper loop in order to provide early signaling at the control whether the alarm is switched on or off. The opening of the normally closed relay contact signals the alarm.

Easily installs with pre-cut specially formulated 3M adhesive tape.



Details

- 3 m radius of coverage measured from the sensor
- Protects all glass types up to a standard thickness of 6.4 mm including plate, wired, tempered and laminated glass
- Ideal for 24-hours loop protection
- Two wire sensor, drawing no power from the loop
- Compatible with most wireless transmitters

5150-W

On-the-glass piezo sensor with 90 cm wire leads, covering up to 3 m of glass

Technical specifications

General

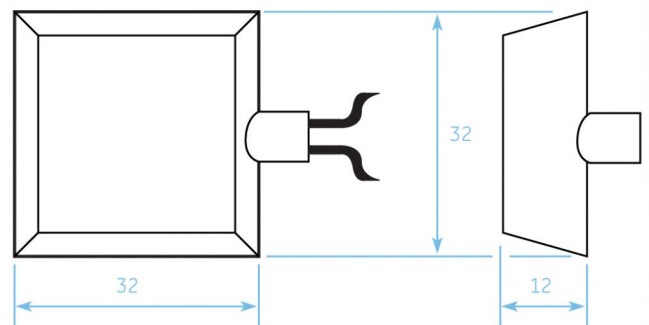
Technology	Piezo
Glass types	Laminated, Plate, Tempered, Wired
Range	4 m radius
Relay output	NC, open 1 to 10 sec on alarm
Tamper switch	No

Wired/wireless

Wired-wireless	Wired
----------------	-------

Physical

Physical dimensions	32 x 32 x 12 mm (L x W x H)
Colour	White
Mounting type	Surface mount
Connections	90 cm jacketed wire leads



As a company of innovation, Carrier Fire & Security reserves the right to change product specifications without notice. For the latest product specifications, visit firesecurityproducts.com online or contact your sales representative.

