

1085T-N-3K3

Surface mount contact with screw terminals, 2 x 3K3 EOLR, white

Easy Installation

Sentrol 1085T series is ideal for residential and commercial applications where terminal connections are preferred. The unit features positive clamping terminals with anti-rotation lugs and captured screws with combination heads. These features allow for easy, quick installations.

Comprehensive Range

The range includes wide gap, SPDT and biased version for higher security. This makes it one of the most popular contacts available in the industry today.

Durability and dependability

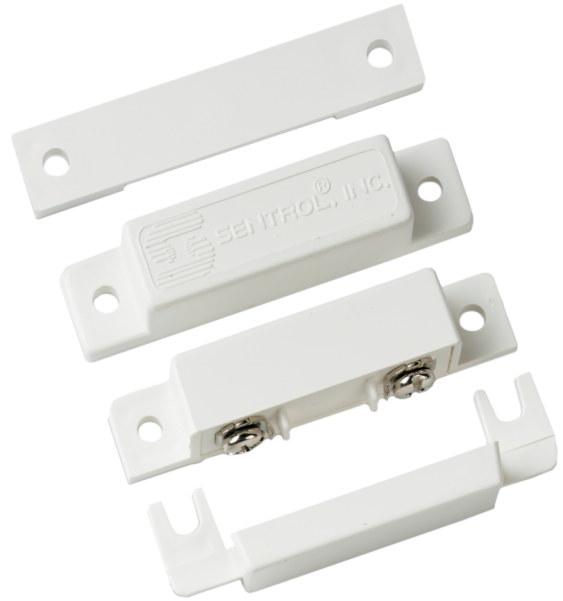
The Sentrol high performance magnetic contacts have been designed to facilitate installation and ensure durability and dependability. Most are conservatively rated at 10,000,000 cycles, guaranteeing a long life. Every reed connection is hand soldered and each magnetic contact is tested before they leave the factory, 100% of the time.

High quality components and materials

Reed legs are plated with rhodium or ruthenium, and hermetically sealed in dry nitrogen. This offers superior protection against sticking and provides a moisture free environment therefore preventing corrosion.

Built-in end of line 3K3 resistors

For seamless connection to the control panel, the 1085T series contains also contacts with built-in end of line resistors. The 2 resistors with a value of 3K3 each are configured in double end of line configuration, allowing a quick, professional and clean installation.



Details

- Easy clamping terminal speed installation
- Cover, spacer included
- Ideal for residential and commercial
- Convenient surface mounting
- Versions with built-in 3K3 resistors available

1085T-N-3K3

Surface mount contact with screw terminals, 2 x 3K3 EOLR, white

Technical specifications

General

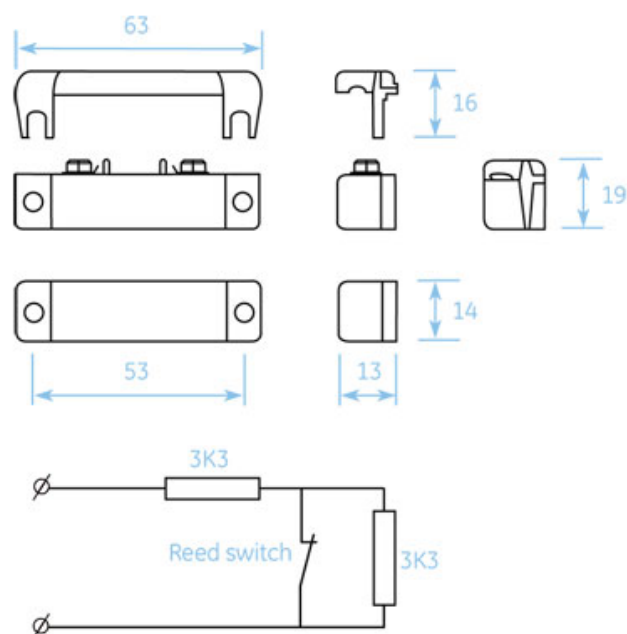
Application type	Surface Mount
Contact type	2x 3K3 end-of-line resistors
Connectivity	screws terminals ; supervised loop

Wired/wireless

Wired-wireless	Wired
----------------	-------

Physical

Physical dimensions	63 x 13 x 19 mm
Colour	White
Operating gap	19 mm (max.)



As a company of innovation, Carrier Fire & Security reserves the right to change product specifications without notice. For the latest product specifications, visit firesecurityproducts.com online or contact your sales representative.

Last updated on 22 April 2021 - 17:33

