



The proximity reader is the easiest way to interact with the Inim control system. By simply holding a tag or card in the vicinity of the reader it is possible to control the system.

The proximity reader is particularly useful when arming or disarming the system or specific partitions. However, it can also be used to control remote appliances such as doors or lights, or even to trigger "groups of actions" associated with specific "shortcuts".

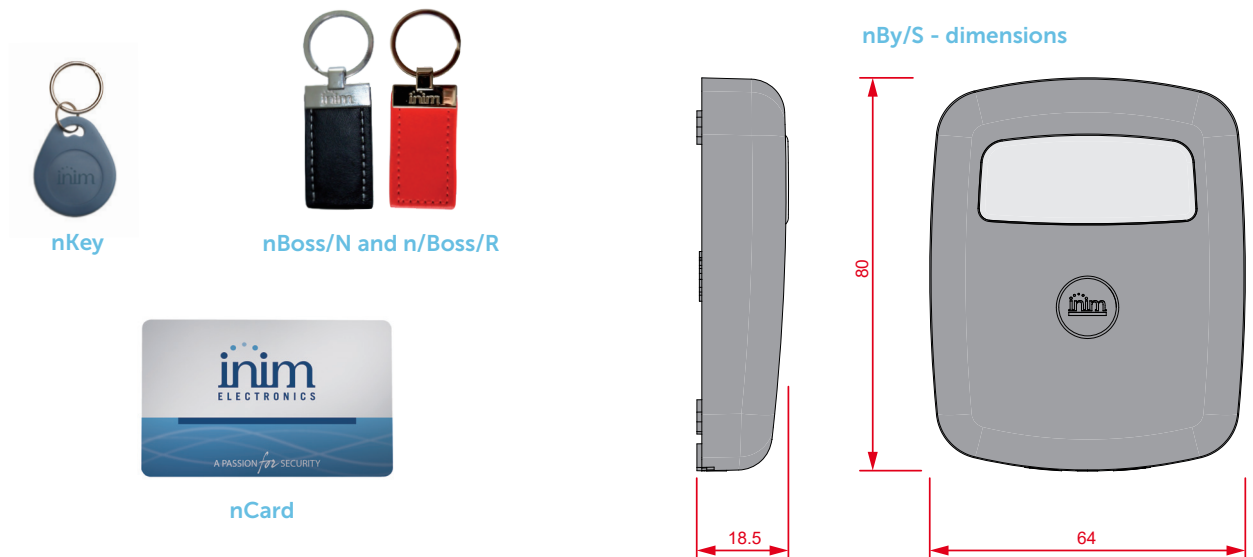
INIM offers two models: the wall-mount nBy/S, and the flush-mount nBy/X.

The wall-mount nBy/S has been especially designed to merge with various types of residential and commercial surroundings. nBy/S is equipped with break-open and break-off tamper protection and a warning buzzer (used by the control panel to provide audible signals). Moreover, on account of the mechanical solutions employed and the heavy-duty enclosure, the Wall-mount nBy/S model is IP34 rated and therefore is suitable for outdoor use.

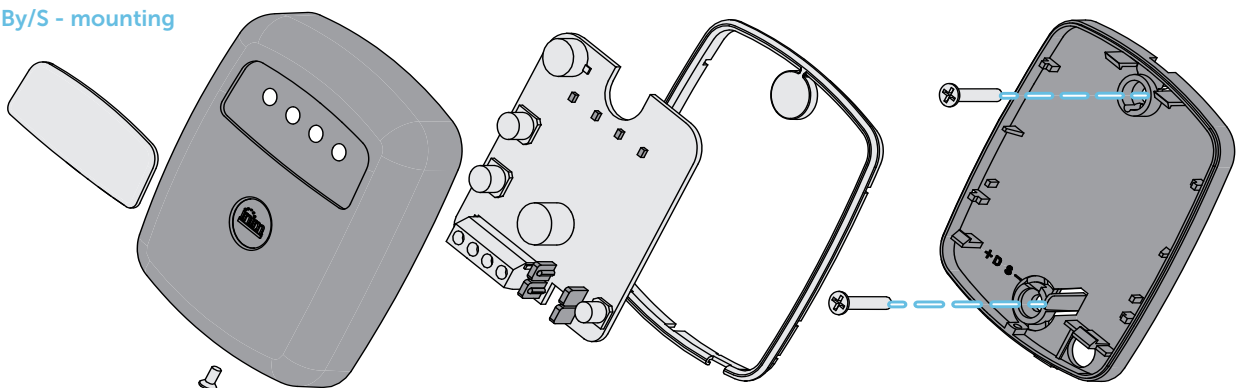
The flush-mount nBy/X is able to offer a "Universal" solution that integrates proximity readers with all makes of cover plates.

Both wall and flush mount models are equipped with four LEDs which can be associated with Arming "Scenarios" (Arming configurations) or "Shortcuts" (actions which transform normally time-consuming sequences into single action commands). It is also possible to program a customized shortcut associated to the key in use with the reader.

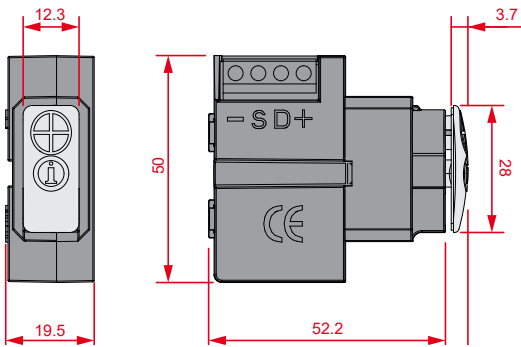
The proximity reader system is completed by proximity tags or cards for the access and the control via the readers.



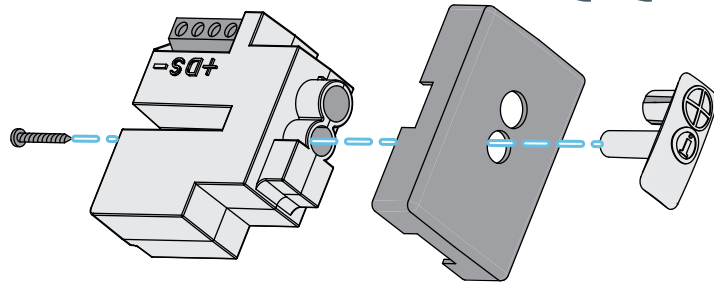
nBy/S - mounting



nBy/X - dimensions



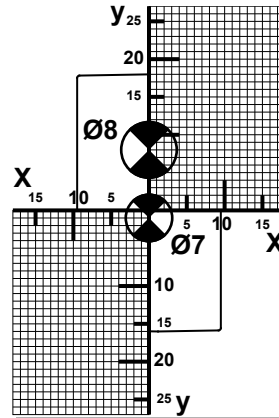
nBy/X - mounting



nBy/X - example of mounting



Drill-pattern



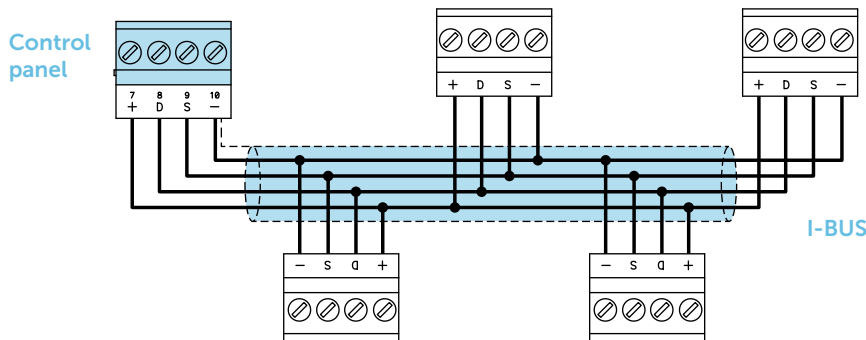
Dimensions (mm)

Cover plate model	X	Y
AVE-Sistema45	12.5	22.5
bTICINO-AM500	11.5	21.5
bTICINO-Axolute	21	22.5
bTICINO-Magic	8	16
bTICINO-Living	12	19.5
bTICINO-SLiving	10.5	21.5
bTICINO-SLight	10.5	21.5
GEWISS-Chorus	11	22
GEWISS-GW20056	11.5	22
legrand	10.8	22.2
VIMAR-Eikon	11	22
VIMAR-Idea	12	18
VIMAR-Plana	11	22

Main features

	nBy/S	nBy/X	nKey	nCard	nBoss
Voltage	from 9 to 16V \overline{ac}		-	-	-
Current draw	40mA	35mA	-	-	-
Dimensions (HxWxD)	80x64x17 mm	50x19x51 mm	35x28x6 mm	54x85x1 mm	85x29x4 mm
Weight	45 g	25 g	5 g	6 g	15 g
Security grade	3		-	-	-
Environmental class	IV	II	-	-	-
Operating temperature	from -25 to +60 °C	from -10 to +40 °C	-	-	-
Relative humidity	≤93% without condensation	≤75% without condensation	-	-	-
IP rating	34	30	-	-	-

CONFIGURATION DIAGRAM



ORDER CODES

- nBy/S**: wall-mount proximity reader.
- nBy/X**: universal flush-mount proximity reader.
- nKey**: tag for nBy series proximity readers.
- nCard**: card leather for nBy series proximity readers.
- nBoss/N**: tag in black leather for nBy series proximity readers.
- nBoss/R**: tag in red leather for nBy series proximity readers.