

Online 1Ph

OPTIMA-T09W 6K/10K (230V & ISOTX)

Robust and reliable UPS with True ONLINE Double Conversion Technology based on IGBT in rectifier and inverter stages. With improved output power factor (0.9). Two versions available: 220/230/240V Output and 2x 120V outputs isolated with transformer (ISOTX).



True ON-LINE Double Conversion and IGBT Technology

True ON-LINE Double Conversion Technology and IGBT (both in rectifier and Inverter stages) allows our UPS to generate full time, noiseless, impeccable, and pure sine wave power for your equipment.

Dual Isolated Output

ISOTX models include an output transformer which offers galvanic isolation as well as dual (110/220 Vac) Outputs. 110Vac Outputs can be used individually or together to obtain 220Vac with galvanic isolation.

Shortcircuit protected

This system avoids internal electronic damages triggering automatically when a shortcircuit is detected on its output. Outlets are turned off and an error message is shown on LCD.

Multiple Automatic Bypass:

Our UPS includes 2 different bypass systems. First there is an internal smart and automatic bypass which activates when the UPS fails or when it is overloaded, to keep your valuable electronic equipment working while the situation is solved. Second Bypass system can be manually activated from an external safe switch for maintenance purposes, such as Battery replacement or internal parts substitution.

Emergency Power Off (EPO)

This feature allows to turn off the UPS output activating an emergency external switch, which can be wired to EPO port located on the rear panel of the UPS. When the switch is detected open, the UPS turns off its output and goes to a safe status. To return to normal mode, the switch must be set back to normal and the UPS must be restarted.

Frequency Converter Function

Output frequency of the UPS can be configured to 50Hz or 60Hz, regardless the input frequency, as long as it stays in the acceptable range.

Expandable Backup

External battery packs can be connected to this UPS to offer longer backup.

Cold Start

This UPS series can be turned on even during power outage.

Auto-Recovery

Auto-Recovery function restarts the UPS automatically when AC Line comes back.

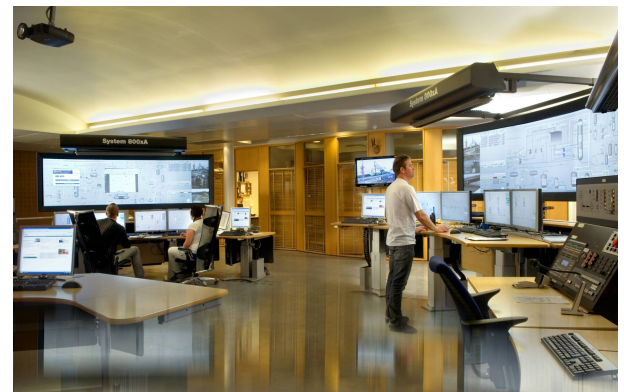
Smart Battery Charger

With a smart battery charger this UPS family can charge batteries in an outstanding time (2-4 hours up to 90%), offering a better availability than similar products.

Power Generators Compatible

Only True On-Line Double conversion UPS can filter voltage fluctuation and other particularities generated by Power Generators to generate a clean, perfect, and pure sine wave power to feed your installation.

Applications: Medium-Sized Businesses Data Centers, Servers, Multiple PC.



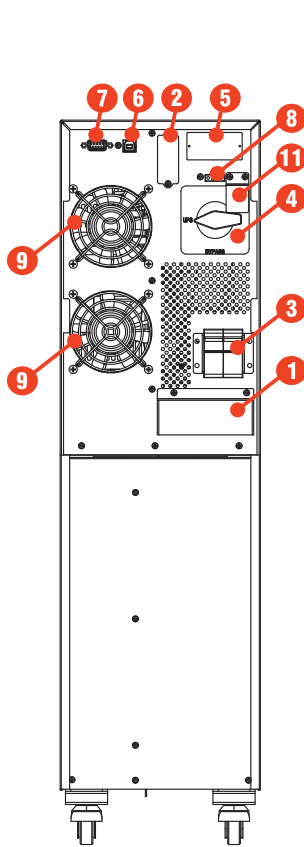
Technical Features / Características Técnicas

1. AC Input/Output Terminal Block
2. External Battery DC Connector
3. AC Input Breaker
4. Maintenance BYPASS Switch

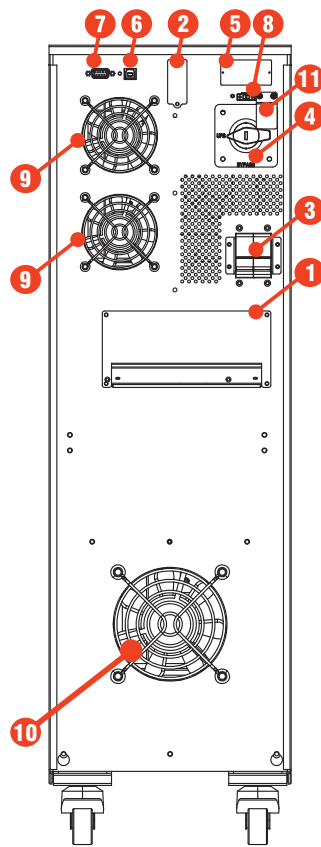
5. Smart Port
6. USB Port
7. RS232 Port
8. Emergency Power Off (EPO)

9. Power Stage Fan
10. ISOTX Transformer Fan
11. BYPASS Safety Cover
12. External Battery Breaker (optional)

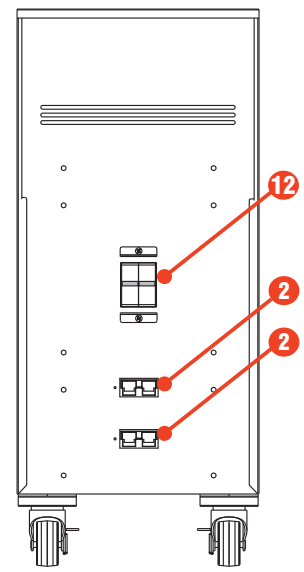
Rear Panel



OPTIMA-T09W 6K / 10K



OPTIMA-T09W 06K / 10K - ISOTX



XBAT T6/T10

Accesorios / Accesorios

Dry Contacts:
 RS-485:
 RS-232:

SNMP:
 LAN Card:
 T/H Sensor:

Parallel Function:
 ISOTX:

: Included
 : Option Available
 : Non-Available

Technical Features / Características Técnicas

ONLINE - OPTIMA T09W	(6KVA-230 & 6KVA-ISOTX)	(10KVA-230 & 10KVA-ISOTX)
Capacity / Capacidad	6.000VA / 5.400W	10.000VA / 9.000W
INPUT / ENTRADA		
Input Voltage / Voltaje de Entrada	Rated Input / Entrada Nominal: 208/220/230/240 Vac (single phase: L-N-G)	
Rated Input / Entrada Nominal:	(110Vac-300Vac) @ 50% load // (176Vac-300Vac) @ 100% load	
Input Range / Rango de Entrada	(176Vac-300Vac) @ 100% load / (110Vac-300Vac) @ 50% load	
Frequency Range / Rango Frecuencia	40 - 70 Hz	
Max. Current / Corriente Max.	30A (RMS)	50A (RMS)
Inrush Current / Corriente Pico max.	180A max. (Input rms x 8)	300A max. (Input rms x 8)
Phase / Fases	1 Phase + Neutral + Ground / 1 Fase + Neutro + Tierra	
Power Factor / Factor de Potencia	> 0.99 @ 100%load	
THDi	<4% @ 100%load / < 6% @ 50%load	
Slew Rate / Seguimiento Frecuencia	1 Hz / s	
OUTPUT / SALIDA		
Model 230:	1 phase (L1-N1): 208/220/230/240Vac	
Model ISOTX:	Dual Isolated Outputs: 2 phases (L1-N1) + (L2-N2): 104/110/115/120Vac	
Voltage Regulation / Regulación Salida	+/- 1%	
Frequency / Frecuencia (Batt. Mode)	50 Hz +/- 0.1 Hz / 60 Hz +/- 0.1 Hz	
Current Crest Ratio / Factor de Cresta	3:1 @ 100% load.	
THDv	< 1% @ Linear Load (Carga Lineal) / <4 @ No Linear Load (Carga no Lineal)	
Dynamic Accuracy / Regulación Carga Variable	<5% (load variations 0%-100% & 100%-0% R Load)	
Transfer Times / Tiempos Transfer.	0 ms	
Waveform / Forma de Onda	Sine Wave / Sinusoidal Pura	
DC offset / Componente DC en la salida	50 mV	
Power Outlets / Salidas	Terminal Block / Regleta de Conexión	
OVERLOAD / SOBRECARGA		
AC Mode / Modo Normal	100%~110%: 30m / 110%~130%: 5m / >130% : 10s	
Battery Mode / Modo Batería	100%~110%: 3m / 110%~130%: 30s / >130% : 10s	
EFFICIENCY / EFICIENCIA @ (100%/75%/50%/25%) R LOAD		
Eco Mode / Modo ECO	MODEL 230V: 99% / 99% / 98% / 97% - ISOTX: 95% / 95% / 94% / 93%	
AC Mode / Modo AC	MODEL 230V: 94% / 93% / 87% / 83% - ISOTX: 90% / 89% / 83% / 80%	
Battery Mode / Modo Batería	MODEL 230V: 92% / 91% / 85% / 81% - ISOTX: 88% / 87% / 82% / 81%	
Inverter Efficiency / Eficiencia Inversor	97% Inverter (@ 100 LOAD)	
BTU @ 100% LOAD	1105	1841
PROTECTIONS / PROTECCIONES		
Surge / Contra Picos	All lines protection / Protección en todas las líneas (L-N, L-G, N-G): > 660J (10/1000us)	
Short Circuit / Contra Cortos en la salida	Outlets power-off / Apagado de las salidas (400% of nominal current / 5 cycles)	
Input Current / Corriente de Entrada	Circuit Breaker / Disyuntor	
Starting Time / Tiempo de Arranque	7s - 10s (@ 100% load)	
BATTERIES / BATERIAS		
Type and Qty / Tipo y Cantidad	Dry Sealed - Maintenance Free (VRLA technology)	
For 230V models	12V/7AH x 20 pcs (20pcs x 1: 240VDC)	12V/9AH x 20 pcs (20pcs x 1: 240VDC)
For ISOTX models	12V/7AH x 20 pcs (20pcs x 1: 240VDC)	12V/9AH x 20 pcs (20pcs x 1: 240VDC)
OPTION: Ext. Batt Cab. / Gab. Ext.	12V/9AH x 40 pcs (20pcs x 2: 240VDC)	12V/9AH x 40 pcs (20pcs x 2: 240VDC)
Typical Recharge T. / T. de Recarga		
Internal Battery Pack / Bat. Internas	3.5 H (90%)	4 H (90%)
External batt cabinet / Gabinete Ext.	Depending on external battery configuration (depende de cantidad de baterías externas)	
Charging Amps / Corriente de Carga	2A max.	
Recharging Time / Tiempo de recarga (90%)	1.5h - 2.5h (*N5)	
Charging VDC / Voltaje del cargador (Floating)	273.0 VDC	
Temperature Compensation / Compensación T.	120mV/°C per battery (Input Air Temp/ Temp. Aire entrada: 25-50°C)	
Shutdown battery Voltage / Voltaje DC Apagado	214VDC (0-30% load) / 204VDC (30-70% load) / 192VDC (load > 70%)	

Technical Features / Características Técnicas

ONLINE - OPTIMA T09W

(6KVA-230 & 6KVA-ISOTX)

(10KVA-230 & 10KVA-ISOTX)

INDICATORS / INDICADORES

LCD / Pantalla LCD

Status, Load level, Battery, Input/Output voltage, Discharge timer & Fault conditions
Estado, Consumo, Baterías, Voltaje Entrada-Salida, Tiempo Descarga, Diagnóstico

ALARM / ALARMAS

Beep Alarm / Alarma sonora:

For Battery Mode, Low battery, Overload, UPS Failure /
Modo Batería, Baja batería, Sobrecargas, Falla

PRODUCT SIZE & WEIGHT / DIMENSIONES Y PESOS DEL EQUIPO

D x W x H / Prof. x Ancho x Altura (mm)

UPS (230)	442x190x688	442x190x688
UPS (ISOTX)	532x250x826	657x250x826
Ext. Batt. Cabinet / Gabinete Bat. Ext.	592x250x576	592x250x576

Net Weight / Peso Neto (kgs)

UPS (EX)	74	76
UPS (ISOTX)	117	142
External batt cabinet / Gabinete Ext.	119 (optional)	119 (optional)

PACKING / EMPAQUE

D x W x H / Prof. x Ancho x Altura (mm)

UPS (EX)	Small Pallet: 58x39x91 cm
UPS (ISOTX)	Small Pallet: 80x39x102 cm
Ext. Batt. Cabinet / Gabinete Bat. Ext.	Small Pallet: 73x39x833 cm

Gross Weight / Peso Bruto (kgs)

UPS (EX)	81	83
UPS (ISOTX)	117	142
External Battery Cabinet	124	124

OPERATING / AMBIENTALES

Humidity / Humedad <95 % (non-condensing / no condensante)

Temperature / Temperatura 0-40 °C

Noise Level / Ruido Producido < 55dB @ 1m

Max. Altitude / Altura de Operación Max.

4.500 meters over sea level / sobre nivel del mar.
* Power output de-rate of 1% every 100m (over 1.000m)
* Disminución de potencia de 1% cada 100m (sobre los 1.000m)

COMMUNICATION / COMUNICACION

Smart RS-232 & USB ports

Windows family, Linux, and MAC

Intelligent Port (SNMP)

Optional LAN card / Comunicación LAN Ethernet opcional
AS400 optional interface board / Interfaz AS400 - opcional

Specifications may be adapted to comply with special project requirements / Las especificaciones pueden modificarse para adaptarse a proyectos.

Specifications may change without further notice / Por motivos comerciales o técnicos las especificaciones pueden cambiar sin previo aviso.

Note 1: Max. output power is derated to 90% when output voltage is set to 208V. La potencia máx. de salida se reduce al 90% si se fija voltaje en 208V

Note 2: Max. output power is derated to 70% when CF function is activated. La potencia máxima de salida se reduce al 70% si se activa la función CF.

Note 3: If installed over 1.000m altitude, output power is derated 1%/100m over 1.000m. La salida se reduce en 1% cada 100m, sobre los 1.000msnm.

Note 4: Bypass mode is prohibited automatically when CF function activated. El modo bypass se anula automáticamente cuando se activa función CF.

Note 5: If external ISOTX module is used, total max. power is reduced in 7%. Si se usa módulo ISOTX, la potencia final máx. será la del UPS menos 7%