

# Nexus



## DEVICES FOR GSM, GPRS, 3G AND 4G CONNECTIVITY

Nexus/3GP,  
Nexus/4GP



Nexus, Nexus/G,  
Nexus/3GU, Nexus/4GU



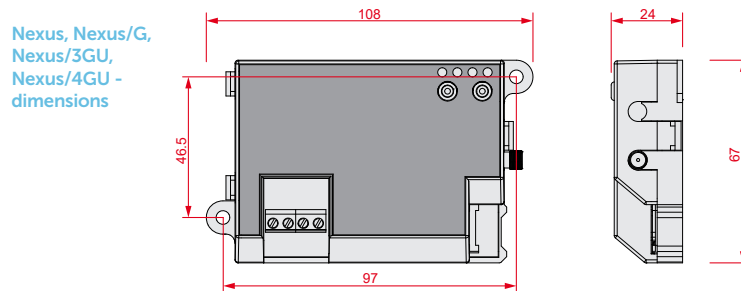
Devices from the Nexus series are devices for connecting to cellular networks. They connect to the BUS just like any other device and can be installed either on the control panel or in any placement that can be reached by the BUS.

Once connected to the control panel, they provide a supplementary communication channel that backs up the PSTN line of the control panel. The communication channel generated by the Nexus allows users to send voice or digital calls over the GSM/3G/4G network and, thanks to the voice menu with DTMF commands, respond to incoming calls (for enabled users). With Nexus, control panels can send automatic or customizable SMS messages for each event and also receive commands sent via SMS.

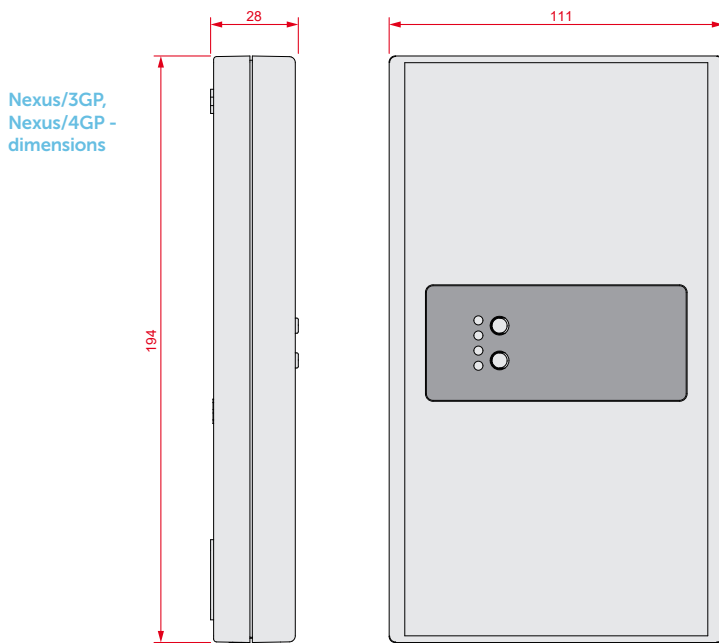
As a result, it is possible to enable or disable scenarios and outputs, request the status of the device and much more. The same operations are also possible after recognition of caller numbers that belong to a predefined list (CallerID).

Nexus/G, Nexus/3G and Nexus/4G allow the management of control panels via the GSM/GPRS/3G/4G network. The device connects to the IP address programmed on the control panel during the installation phase, or to a different IP address that, as appropriate, the installer can decide on and set by sending a simple SMS. Shortly after receiving the SMS, the PC will connect to the remote control panel using the specified IP address. In this way it is possible to activate a remote control session via GPRS/3G to read/write the control panel programming, even when away from the office or using a mobile connection such as "Internet-key", tethering or smartphone hotspot. The communications with alarms receiving centres are made possible by means of the most widely used protocols, including SIA-IP standard.

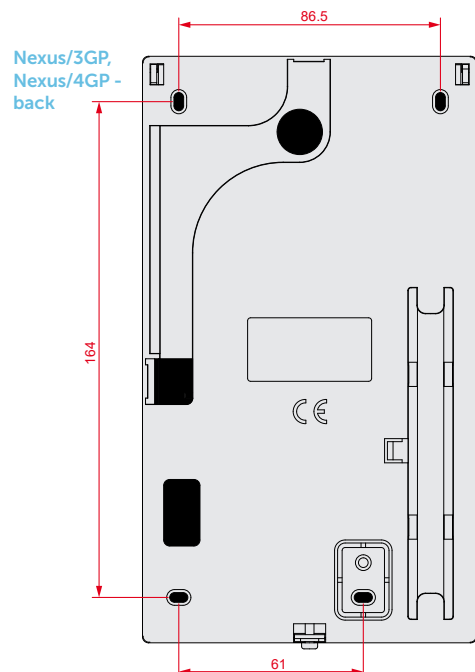
Nexus/G, Nexus/3G and Nexus/4G allow both the installer and the user to access the Inim Cloud and peer-to-peer services; they can be used both as a main device or as a backup device in the event of the loss of the hardwired LAN connection. A service-enabled SIM card is required to connect to GPRS/3G/4G networks. It is advisable to check the mobile tariffs of various providers in order to choose the most suitable.



Nexus, Nexus/G,  
Nexus/3GU,  
Nexus/4GU -  
dimensions



Nexus/3GP,  
Nexus/4GP -  
dimensions

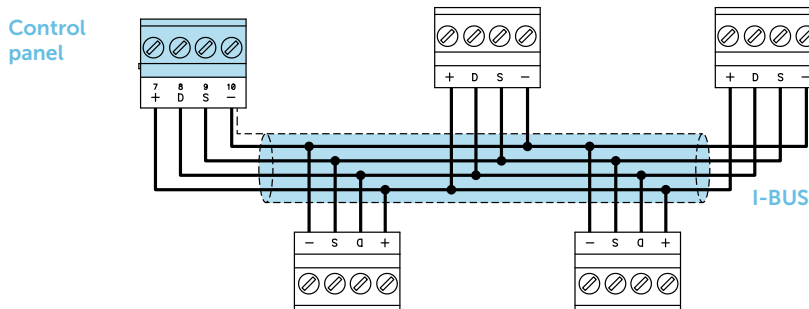


Nexus/3GP,  
Nexus/4GP -  
back

## Main features

	Nexus	Nexus/G	Nexus/3GU	Nexus/3GP	Nexus/4GU	Nexus/4GP
Voltage	from 9 to 16V <sup>DC</sup>					
Current draw	90mA	90mA	70mA	70mA	70mA	70mA
Sends pre-set and editable SMS texts for each event	Yes					
Activates control panel scenarios via SMS text message	Yes					
Activates control panel scenarios via Caller ID (200 numbers)	Yes					
Command done SMS text or ring feedback	Yes					
Diverts incoming SMS texts	Yes					
Answerphone functions and DTMF command management	Yes					
Device status viewable on system keypad	Yes					
Automatic control of remaining credit	Yes					
Emergency report via voice, digital and SMS text communication	Yes					
Device status notification via SMS texts (remaining credit, mobile network operator, faults, etc..)	Yes					
Voice communicator over GSM network	Yes					
GPRS connectivity	-	Yes	Yes	Yes	Yes	Yes
3G connectivity	-	-	Yes	Yes	-	-
4G connectivity	-	-	-	-	Yes	Yes
Voice communicator over 4G network (VoLTE)	-	-	-	-	Yes	Yes
Anti-intrusion control panel programming and management	-	via GPRS	via 3G	via 3G	via 4G	via 4G
IP communicator to alarm receiving centres supporting SIA-IP protocol	-	Yes	Yes	Yes	Yes	Yes
UCS2 character set management	-	Yes	Yes	Yes	Yes	Yes
Inim Cloud Connectivity	-	Yes	Yes	Yes	Yes	Yes
Remote antenna with 1.5m of cable, SMA-Male connector and magnetic base	Yes	Yes	Yes	-	Yes	-
Stylus antenna, SMA-Male connector, inserted	-	-	-	Yes	-	Yes
Dimensions (HxWxD)	67x108x24 mm	67x108x24 mm	67x108x24 mm	111x194x28 mm	67x108x24 mm	111x194x28 mm
Weight	77 gr	77 gr	77 gr	180 gr (without batteries)	77 gr	180 gr (without batteries)
Security grade	2	3	3	3	3	3
Environmental class	II					
Operating temperature	from -10 to +40 °C					
Relative humidity	≤75% without condensation					

## CONFIGURATION DIAGRAM



## ORDER CODES

- Nexus:** I-BUS integrated GSM module for Inim control panels.
- Nexus/G:** I-BUS integrated GSM/GPRS module for Inim control panels.
- Nexus/3GU:** 2G and 3G module integrated on I-BUS with on-view terminals.
- Nexus/3GP:** 2G and 3G module integrated on I-BUS with buffer battery.
- Nexus/4GU:** 2G and 4G module integrated on I-BUS with on-view terminals.
- Nexus/4GP:** 2G and 4G module integrated on I-BUS with buffer battery.