

# IFM16IO



INTERNAL MODULE WITH 4 RELAYS

PREVIDIA | MAX



The module provides 16 channels, each of which, by means of the configuration software, can be configured as:

- non-supervised input max. 100mA, configurable as NC or NO
- non-supervised input

This module also provides terminals for the ancillary power @ 27V.

Previdia Max control panels are capable of managing up to 4 IFM16IO modules.

## HARDWARE CHARACTERISTICS

- CPU dedicated to the control of the module and communication with the control-panel FPMCPU module
- 5 status LEDs
- Mini USB port
- Hot swap technology
- 16 input/output connection terminals
- 2 terminals for power supplying to external loads

## TECHNICAL SPECIFICATIONS

- Power voltage: 19-30Vdc
- Consumption @ 27.6V: stand-by 12mA, max. 25mA
- Maximum current on I/O 100mA @ 30V
- Operating temperature: from -5°C to +40°C

# IFM16IO



cert. N.991K

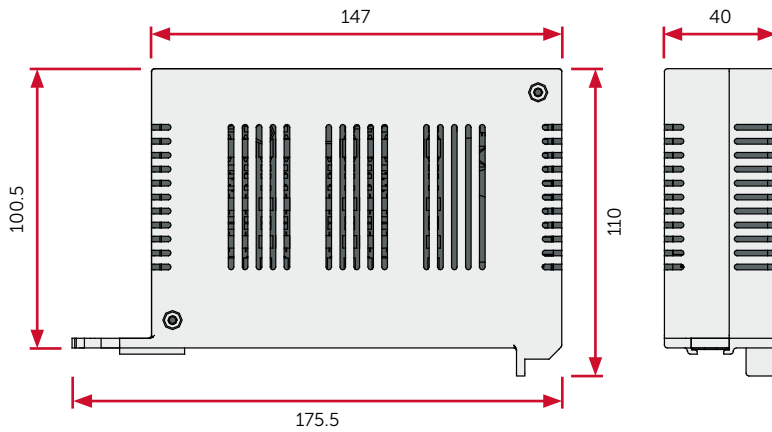


0832  
0832-CPR-F1342

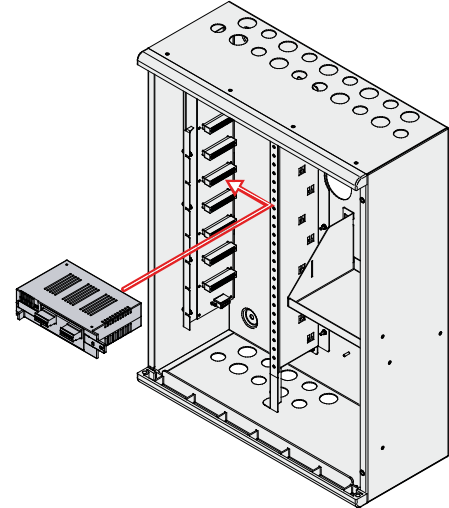
EN 54-2  
EN 54-4  
EN 54-21  
EN 12094-1

## PREVIDIA | MAX

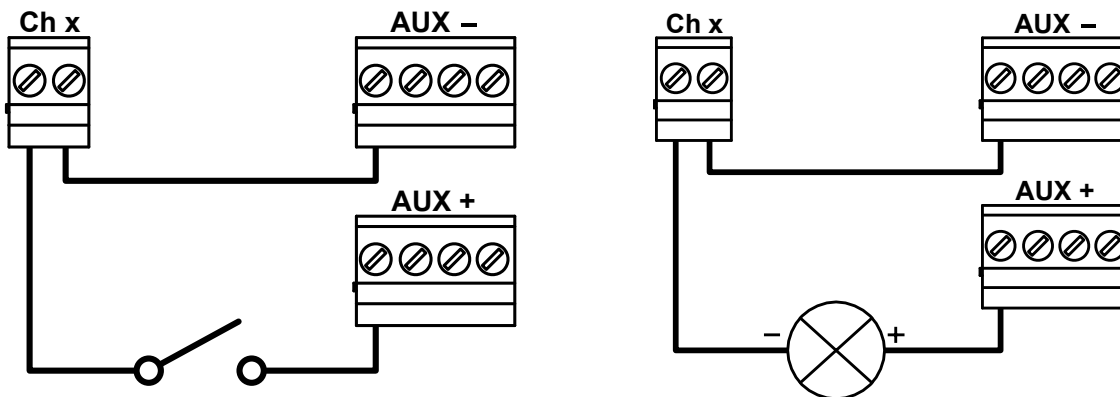
### DIMENSIONS



### INSTALLATION



### CONFIGURATION DIAGRAM



### IN THE PACKAGE

- Package dimensions: 18 x 12.5 x 5 cm
- Weight with packaging: 280g

### ORDER CODES

**IFM16IO** module with 16 low-power inputs/outputs



Centobuchi, via Dei Lavoratori 10  
63076, Monteprandone (AP), ITALY  
Tel. +39 0735 705007 \_ Fax +39 0735 704912

info@inim.biz \_ [www.inim.biz](http://www.inim.biz)

Inim distributor's stamp  
and signature