

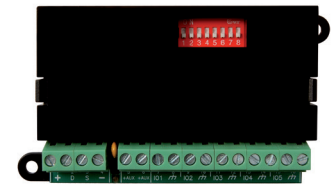
Flex5



INPUT/OUTPUT EXPANSIONS



Flex5/P



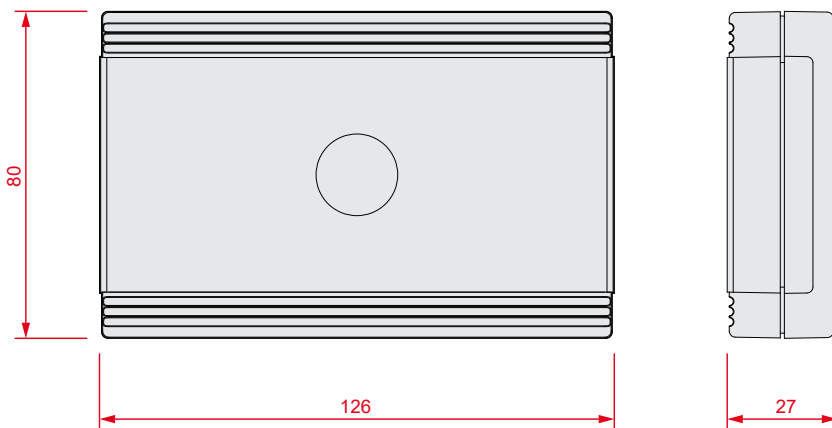
Flex5/U

The Flex5 expansion board increases the number of inputs (zones) or outputs available on the Inim system. The board receives commands and power via the I-BUS. The power supply to the device and the two ancillary power outputs are protected against short-circuit and overload.

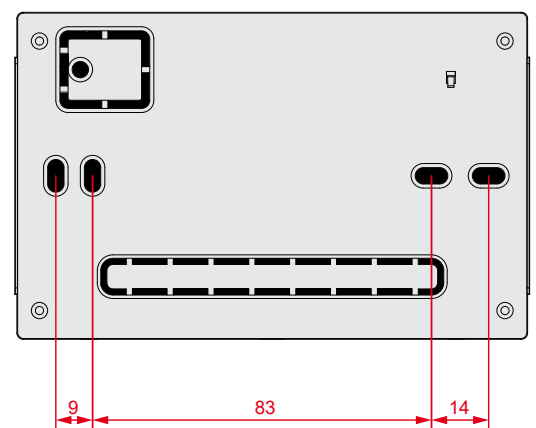
Thanks to the FlexIO technology, the Flex5 expansion board has 5 terminals which can be used as either zones or outputs. If programmed as inputs, terminals 1 to 4 directly accept shock and rollerblind sensors. If programmed as outputs, these terminals can sink 150mA.

The Flex5 expansion board has a built-in signalling buzzer which can be activated when the T1 terminal activates as an output. The Flex5/P model is protected against break-open and break-off tamper (these protections can be disabled if necessary).

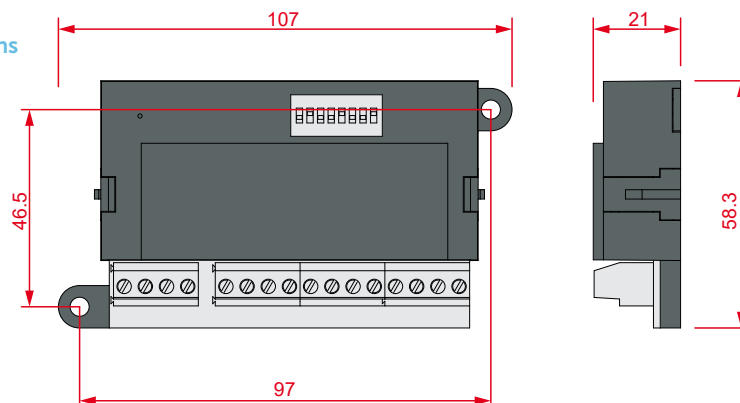
Flex5/P - dimensions



Flex5/P - back



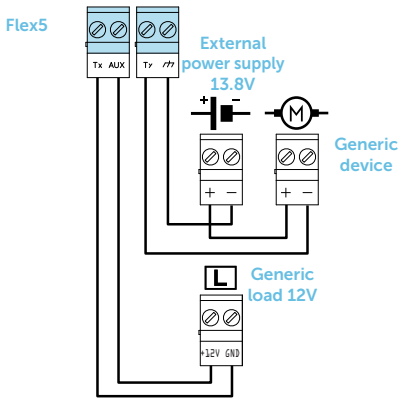
Flex5/U - dimensions



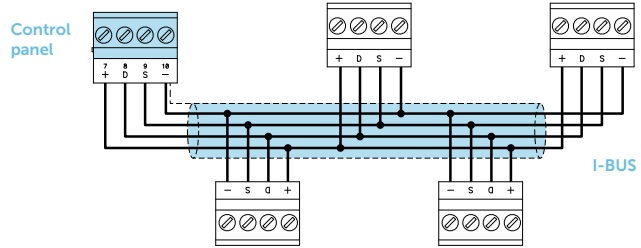
Main features

	Flex5/P	Flex5/U
Voltage		from 9 to 16V \overline{DC}
Current draw		25mA
FlexIO terminals programmable as inputs or outputs		5
Terminals which accept shock and rollerblind sensors		4
Maximum current draw for output terminals		150mA
Resettable fuse protects bus load current draw		300mA
Ancillary power supplies		2
Buzzer		Integrated
Protection	Anti-opening and anti-dislodgement	No
Dimensions (HxWxD)	80x126x27 mm	59x108x20 mm
Weight	106 g	67 g
Security grade		3
Environmental class		II

OUTPUTS

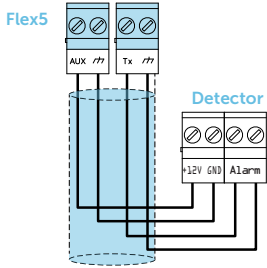


I-BUS CONFIGURATION DIAGRAM



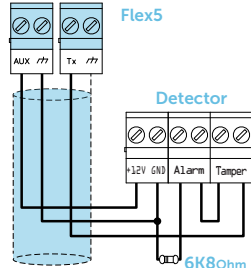
BALANCING

N.C./N.O. Balancing



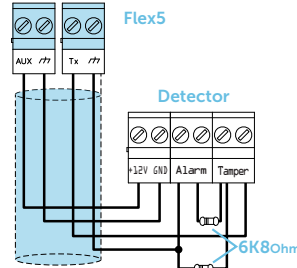
Ohm	Zone	N.O.
> 2 x 3900 + 6800	alarm	standby
> 2 x 3900 + 6800	alarm	standby
3900 + 6800	alarm	alarm
2 x 3900	alarm	alarm
3900	standby	alarm
0	standby	alarm

Single balancing



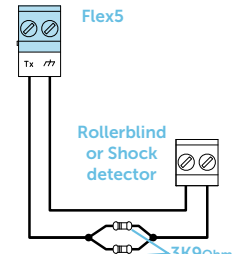
Ohm	Zone
> 6800	alarm
6800	standby
0	tamper

Double balancing



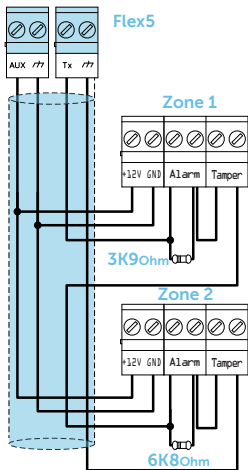
Ohm	Zone
> 6800	tamper (wire cutting)
6800	alarm
6800 / 2	standby
0	tamper (short-circuit)

Single balancing (N.C. with EOL)



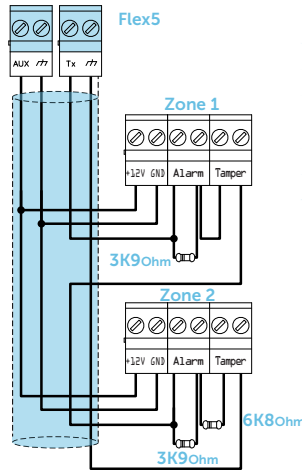
Ohm	Zone
> 3900 / 2	tamper (wire cutting)
3900 / 2	standby
0	tamper (short-circuit)

Double-Zone balancing



Ohm	Zone 1	Zone 2 (double)
> 3900 + 6800		tamper
3900 + 6800	alarm	alarm
6800	standby	alarm
3900	alarm	standby
0	standby	standby

Double Zone balancing with EOL



Ohm	Zone 1	Zone 2 (double)
> 2 x 3900 + 6800		tamper (wire cutting)
> 2 x 3900 + 6800	alarm	alarm
3900 + 6800	standby	alarm
2 x 3900	alarm	standby
3900	standby	standby
0		tamper (short-circuit)

ORDER CODES

Flex5/P: input and output expansion board with tamper protection.

Flex5/U: input and output expansion board with terminals on-view.