

AIR2-BS200

WIRELESS TRANSCEIVER



Wireless transceiver with I-BUS interface for connection to Inim control panels.

The Air2-BS200/50 is capable of managing 50 field devices (infrared, double technology, curtain detectors and magnetic contacts) and 100 wireless keyfobs (KF100 or KF-Ergo or KF-Pebble).

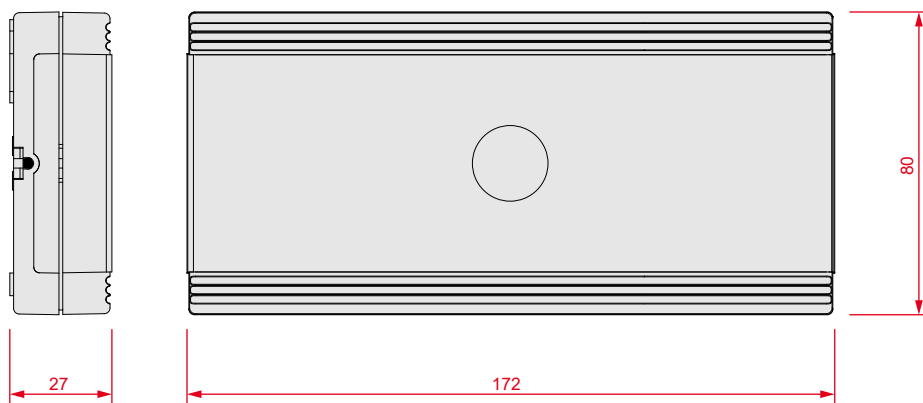
Air2-BS200/30 is capable of managing 30 field devices and 50 wireless keyfobs.

Air2-BS200/10 is capable of managing 10 field devices and 30 wireless keyfobs.

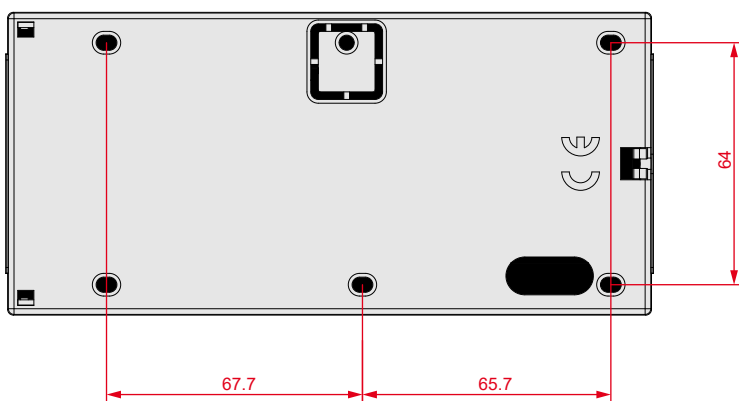
The Air2-BS200 is also capable of managing up to 4 Aria/W keypads and 4 Hedera or Smarty sounderflashers.

Each field device can be mapped on one of the terminals available on the control panel in the same way as each keyfob can be mapped on one of the Inim tags.

Dimensions



Back

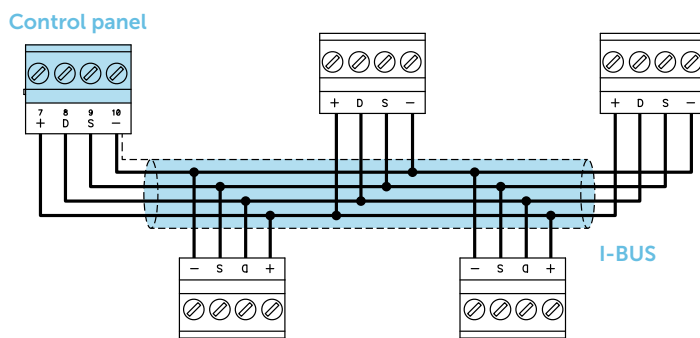


AIR2-BS200



Main features	BS200/10	BS200/30	BS200/50
Voltage	from 9 to 16V $\overline{\text{V}}$		
Current draw	35mA		
Communication with wireless devices	Two-way		
Operating frequency	868 MHz		
Programmable supervision time of wireless devices	from 12 to 250 minutes		
Connection to control panel	I-BUS / BUS485 4 wires		
Manageable wireless field devices (magnetic contacts or detectors)	10	30	50
Simulated Flex5 expansion boards	2	6	10
Manageable keyfobs (KF100, Ergo, Pebble)	30	50	100
Manageable keypads (Aria/W)	4		
Manageable sounder/flashers (Hedera)	4		
Field devices mapping	On terminals		
Keyfobs mapping	On tags and cards		
Protections	Dislodgement and opening protection		
Dimensions (HxWxD)	172x80x27 mm		
Weight	135 g		
Security grade	2		
Environmental class	II		

CONFIGURATION DIAGRAM



CONNECTABLE WIRELESS DEVICES

- Air2-MC200**: magnetic contact with shock and tilt sensor in white or brown
- Air2-MC300**: magnetic contact with two I/O terminals, in white or brown
- Air2-KF100**: 4 button remote-control key
- Air2-Ergo**: 4 button remote-control key
- Air2-Pebble**: 4 button remote-control key
- Air2-FD100**: smoke detector
- Air2-Aria/W**: keypad with graphic display
- Air2-Hedera**: outdoor sounder, in white or chrome effect
- Air2-DT200T**: dual technology curtain detector, in white or brown
- Air2-XIR200W**: PIR detector, 12m
- Air2-XDT200W**: dual technology curtain detector
- Air2-UT100**: universal transceiver
- Air2-ODI100W**: outdoor wireless dual-infrared detector
- Air2-OTT100W**: outdoor wireless triple-technology detector

ORDER CODES

- Air2-BS200/50**: transceiver up to 50 detectors, up to 100 wireless keyfobs.
- Air2-BS200/30**: transceiver up to 30 detectors, up to 50 wireless keyfobs.
- Air2-BS200/10**: transceiver up to 10 detectors, up to 30 wireless keyfobs.
- Air2-ANT100N/8**: high performance 868MHz external antenna (1.5 meters cable)



Centobuchi, via Dei Lavoratori 10
63076, Monteprandone (AP), ITALY
Tel. +39 0735 705007 _ Fax +39 0735 704912

info@inim.biz _ www.inim.biz

Inim distributor's stamp
and signature