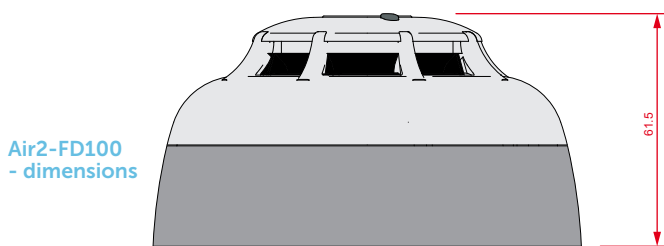


WIRELESS SMOKE DETECTOR

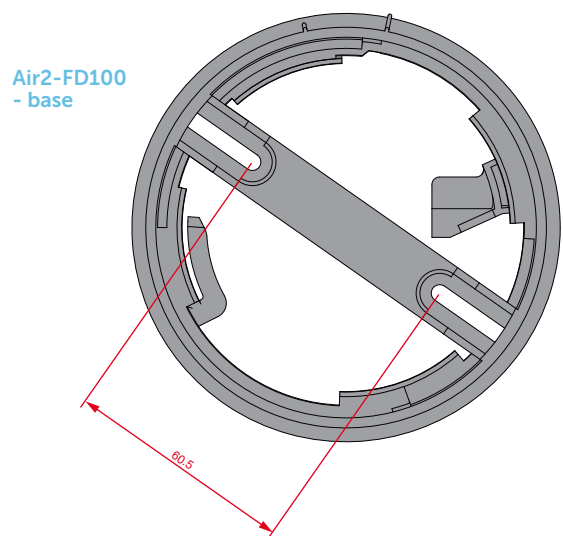
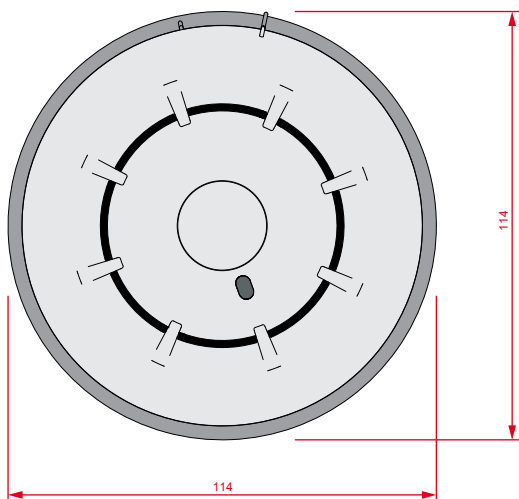


The Air2-FD100 smoke detector allows you to add advanced smoke-detection capabilities to the Inim control panel. Air2-FD100 can verify the level of contamination (dust) inside the optical chamber and signal the need for cleaning. The analogue values regarding the level of contamination in the optical chamber are shown on the keypad. This technology provides you with 4 programmable levels of smoke-detection sensitivity from 0.08dB/m to 0.15dB/m. The Air2-FD100 is equipped with a tricolour LED (green, yellow and red) which signals the normal operating status of the device, low battery status, contamination in the optical chamber, alarm and fault conditions. This device provides an option which disables the visual signals on the LED. You can configure all the device parameters via the wireless network without the need for direct intervention on the device itself.

Therefore, in no way can the combination of an intrusion control system and an Air2-FD100 smoke detector be considered a fire control system.



Air2-FD100
- dimensions



Air2-FD100
- base

Main features

Communication with Air2-BS200 transceiver	Two-way
Operating frequency	868 MHz
Programmable supervision time of wireless devices	from 12 to 250 minutes
Antiremoval protections	From its base
4 levels adjustable sensitivity	0.08dB/m (pre-set mode) - 0.10dB/m - 0.12dB/m - 0.15 dB/m
Signalling LEDs	3 colours (green, yellow, red)
Signalling	Normal operating status, fault, contamination in the optical chamber, low battery, alarm
Bypassable LED	Yes
Battery	Lithium CR17450 3V
Estimated battery life	3 years
Height (base included)	61.5mm
Diameter (base included)	114mm
Weight (base and battery included)	182 gr
Security grade	2
Environmental class	II

ORDER CODES

Air2-FD100: two-way wireless smoke detector for Inim systems